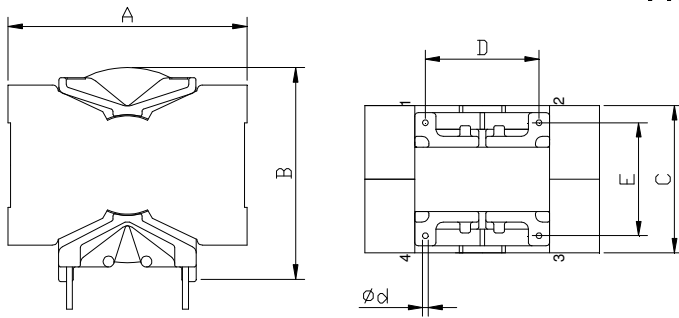


Powerful PFC Chokes

Product series: **BWLX-PQ3220A series**

Patent protected!



Features:

- Excellent performance on efficiency
- Cost effective design
- IEC standard core type
- Very good heat dissipation
- High reliability and temperature stability

Applications:

- 90 Plus - Power supply units
- Buck-boost converters
- Energy storage requirement

NEW

• Dimensional specifications:

unit in mm

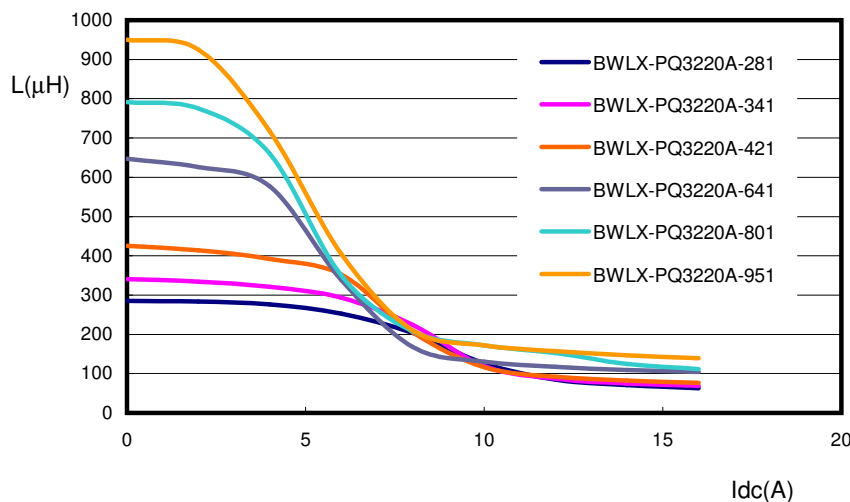
A	B	C	D	E	∅d
33.5max	30max	21max	16	15.8	0.8

• Electrical specifications:

Product name	Inductance ± 10% (μH)	Max. Rdc (mΩ)	PF value	Suitable power*
BWLX-PQ3220A-281	280	70	> 95%	650W
BWLX-PQ3220A-341	340	90	> 95%	600W
BWLX-PQ3220A-421	420	110	> 95%	500W
BWLX-PQ3220A-641	640	150	> 95%	400W
BWLX-PQ3220A-801	820	190	> 95%	350W
BWLX-PQ3220A-951	1000	230	> 95%	300W

*Only reference for PFC choke applications for PSU with $V_{in}=90V_{ac}$

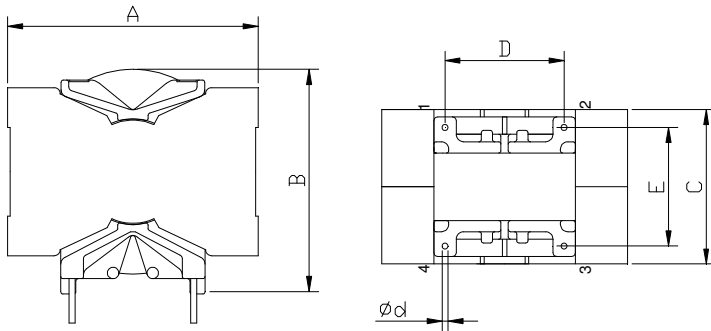
• DC-bias property: (typical curves)



Powerful PFC Chokes

Product series: BWLX-PQ3220B series

Patent protected!



Features:

- Excellent performance on efficiency
- Cost effective design
- IEC standard core type
- Very good heat dissipation
- High reliability and temperature stability

NEW

Applications:

- 90 Plus - Power supply units
- Buck-boost converters
- Energy storage requirement

• Dimensional specifications:

unit in mm

A	B	C	D	E	ϕd
33.5max	30max	21max	16	15.8	0.8

• Electrical specifications:

Product name	Inductance $\pm 10\%$ (μH)	Max. Rdc ($\text{m}\Omega$)	PF value	Suitable power*
BWXL-PQ3220B-361	360	70	> 95%	500W
BWXL-PQ3220B-451	450	90	> 95%	400W
BWXL-PQ3220B-551	550	110	> 95%	350W
BWXL-PQ3220B-801	810	150	> 95%	250W

*Only reference for PFC choke applications for PSU with $V_{in}=90\text{Vac}$

• DC-bias property: (typical curves)

