

SWITCHING POWER TRANSFORMER

FOR PC POWER SUPPLY

FEATURES:

- * CONSTRUCTED WITH UL APPROVED CLASS B INSULATION SYSTEM(UL FILE NO:E359513).
- * COMPLIANT WITH RoHS AND HALOGEN FREE.

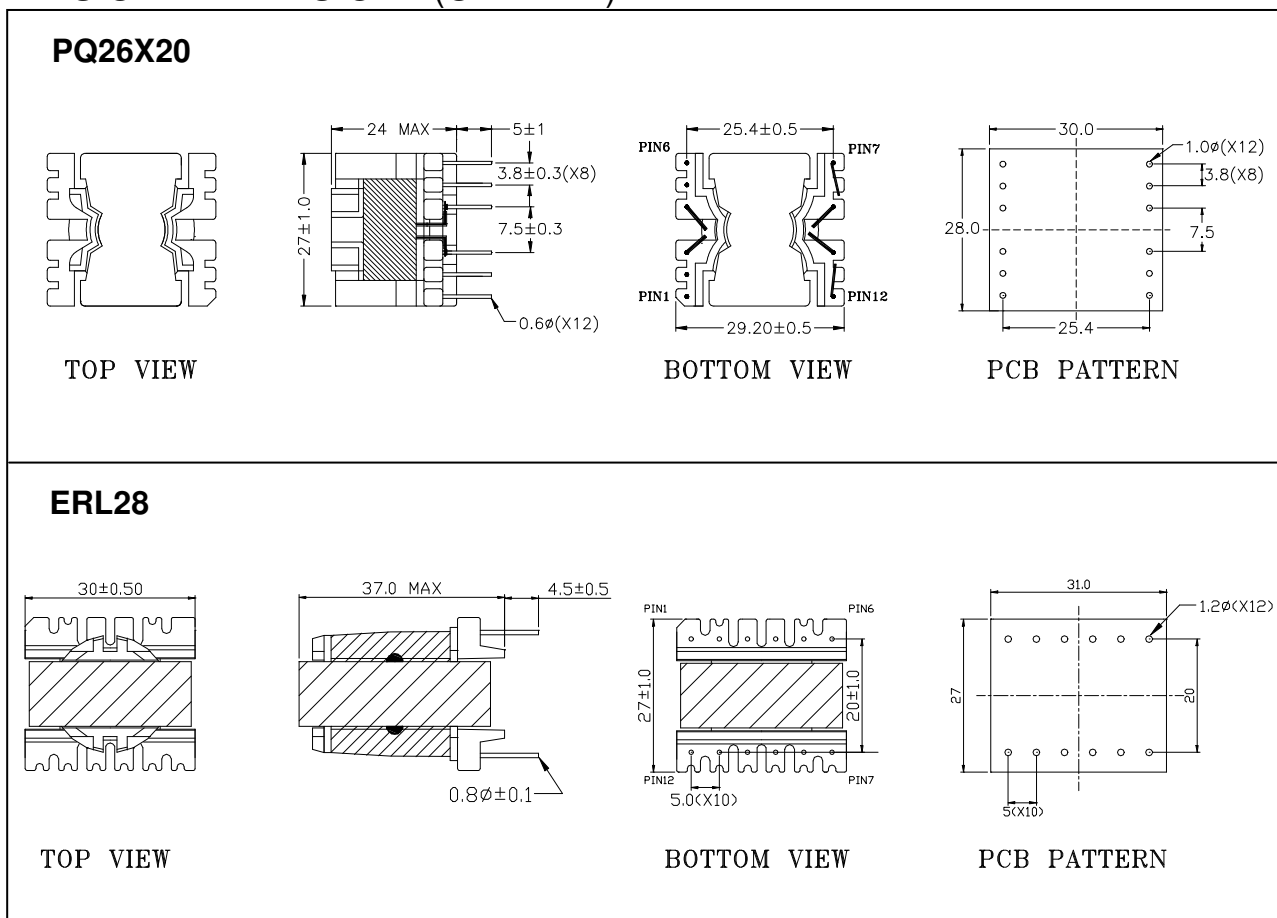
APPLICATION

- * PC POWER SUPPLY. * AC/DC ADAPTER.

ELECTRICAL SPECIFICATION:

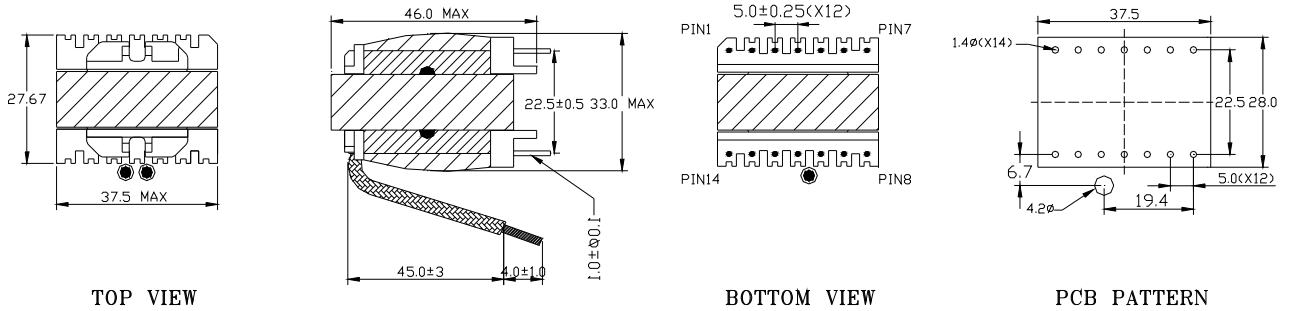
MODEL NO	FREQUENCY (KHz).	OUTPUT POWER (W)	EXTERNAL SIZE W*L*H(mm)	BOBBIN TYPE	CORE CROSS-SECTIONAL AREA(mm ²)
PQ26X20	60~150	60	27*29*24	VERTICAL	119.0
ERL28	60~150	250	30*27*37	VERTICAL	85.6
ERL35	60~150	400	37*33*46	VERTICAL	107.0
ETD29	60~100	100	36*36*28	HORIZONTAL	76.0
ETD34	60~150	250	40*40*31	HORIZONTAL	97.1
ERL39	60~150	500	39*35*48	VERTICAL	128.3

PHYSICAL DIMENSION : (UNIT:mm)



PHYSICAL DIMENSION : (UNIT:mm)

ERL35

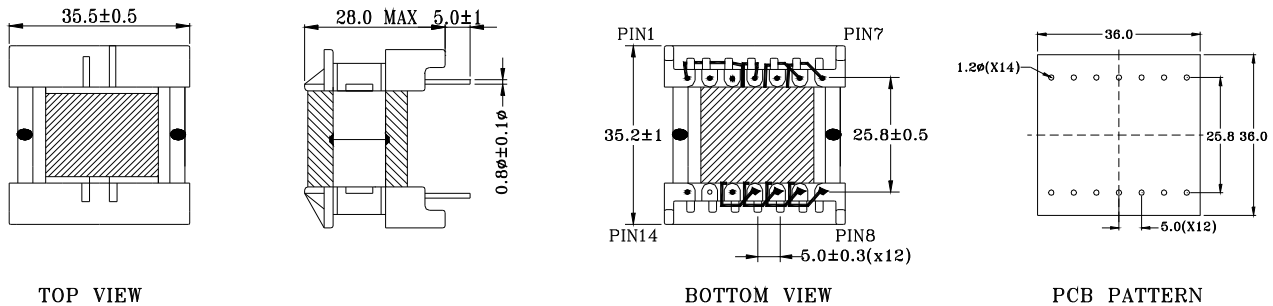


TOP VIEW

BOTTOM VIEW

PCB PATTERN

ETD29

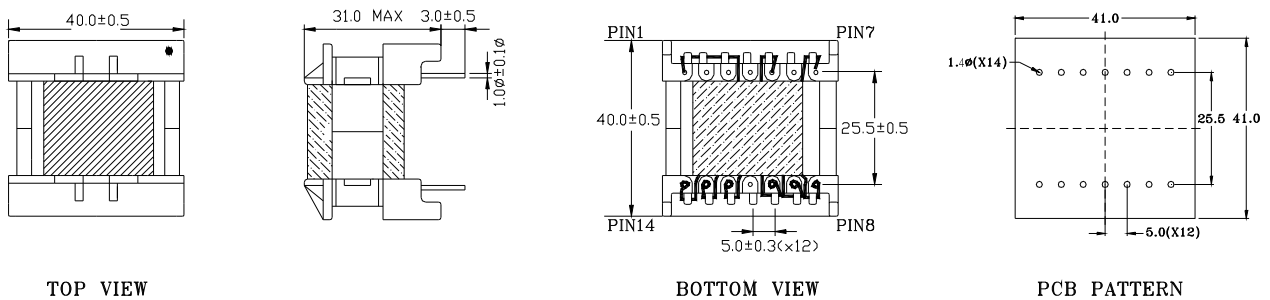


TOP VIEW

BOTTOM VIEW

PCB PATTERN

ETD34

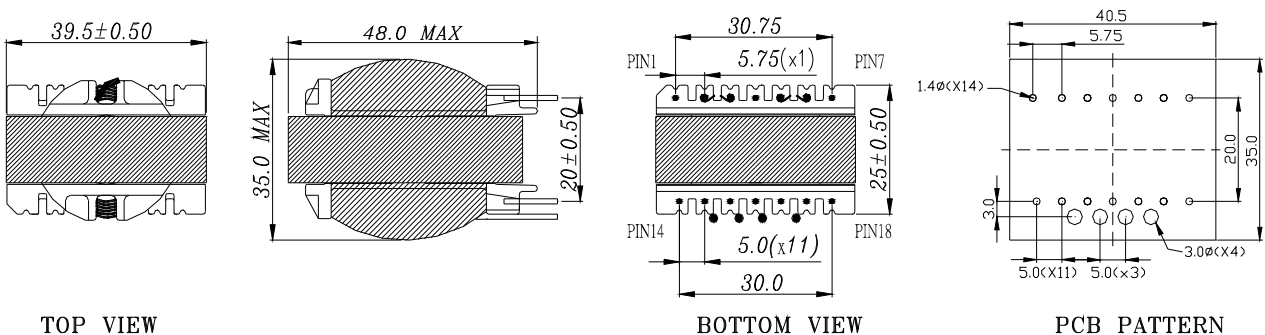


TOP VIEW

BOTTOM VIEW

PCB PATTERN

ERL39



TOP VIEW

BOTTOM VIEW

PCB PATTERN