

BW-107 WT-DT

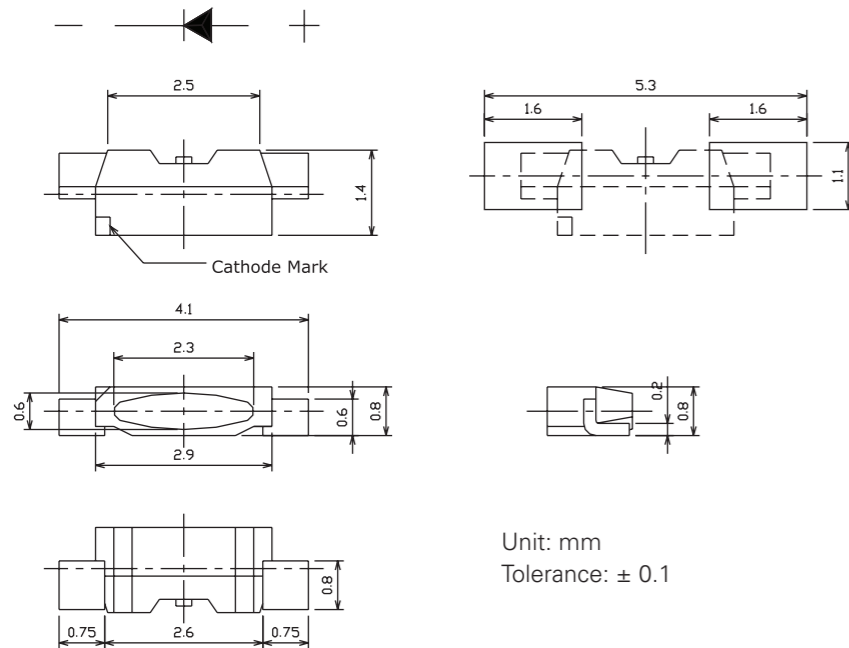
Initial Electrical/Optical Characteristics (Ta= 25°C)

Items	Symbol	Condition	Min.	Typ.	Max.	Unit
Forward Voltage	V_F	$I_F=20mA$	3.0	3.3	3.8	V
Reverse Current	I_R	$V_R=5V$	0.0	1.0	50.0	μA
Color Coordinates	x	$I_F=20mA$	0.27	0.32	0.35	
	y	$I_F=20mA$	0.26	0.31	0.34	
Luminous Intensity	I_V	$I_F=20mA$	1000	1060	1300	mcd
Viewing Angle	deg	$I_F=20mA$		105		deg

*The CIE value tolerance is ± 0.005 unit.

** The luminous intensity tolerance is ± 28 mcd.

Dimension & Recommended Solder Pattern



Absolute Maximum Rating (Td=25°C)

Series	I_F (mA)	I_{FP} (mA)	V_R (V)	T_{OP} (°C)	T_{ST} (°C)
BW-107 WT-DT	30	100	5	-30~+85	-40~+100

7 inch Anti-Static Reel
3000 pcs / reel

BW-108 WT-DT

Initial Electrical/Optical Characteristics (Ta= 25°C)

Item	Symbol	Condition	Min.	Typ.	Max.	Unit
Forward Voltage	V_F	$I_F=20mA$	3.0	3.5	3.6	V
Reverse Current	I_V	$V_R=5V$	0.0	1.0	50.0	μA
Color Coordinates	x	$I_F=20mA$	0.264	0.290	0.330	
	y	$I_F=20mA$	0.248	0.285	0.339	
Luminous Intensity	I_V	$I_F=20mA$	1000	1160	1440	mcd
Viewing Angle	deg	$I_F=20mA$		105		deg

*The Forward Voltage tolerance is $\pm 0.03V$.

*The Forward Voltage at 15mA is about 0.1V less than 20mA.

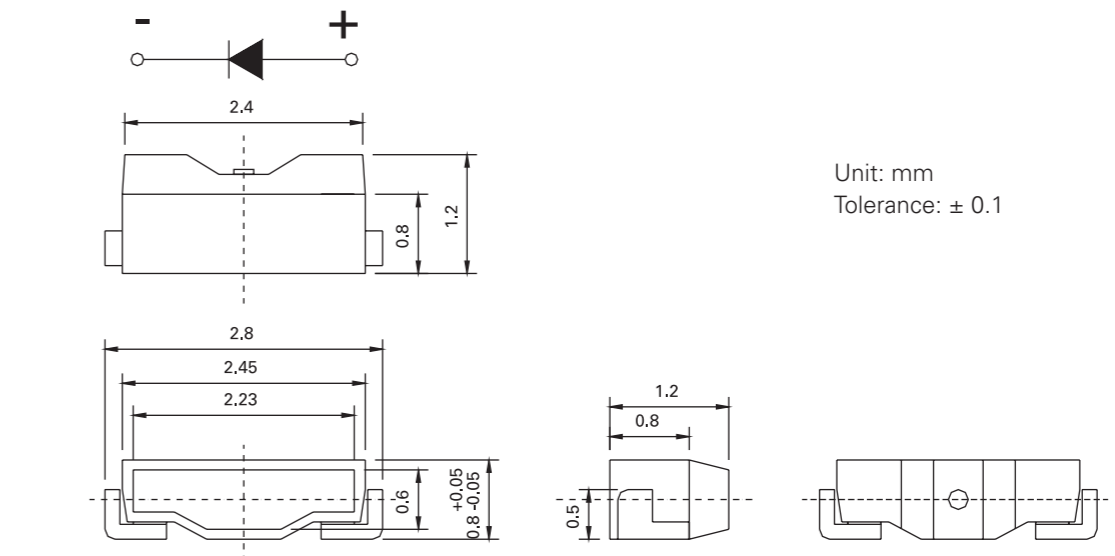
**The CIE value tolerance is ± 0.005 unit.

***The luminous intensity tolerance is $\pm 6\%$.

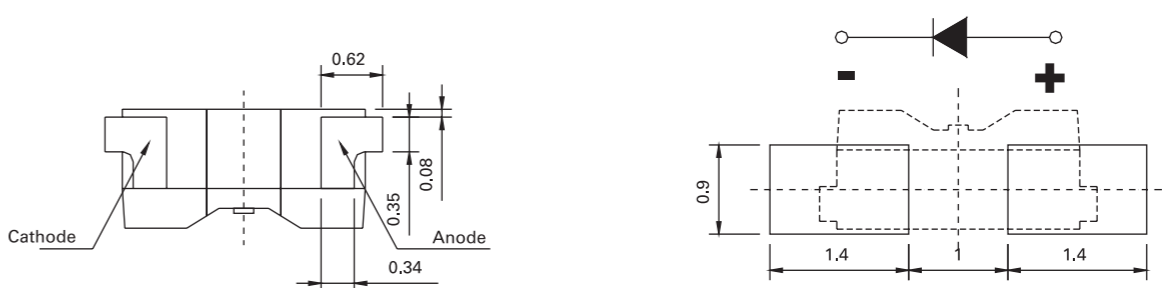
***The luminous intensity at 15mA is about 20% less than 20mA.

Outline Dimension & Recommended Solder Pattern

Pin Connection



Recommended Pad



Absolute Maximum Rating (Td= 25°C)

Series	I_F (mA)	I_{FP} (mA)	V_R (V)	T_{OP} (°C)	T_{ST} (°C)
BW-108 WT-DT	30	100	5	-30~+85	-40~+100

7 inch Anti-Static Reel
3000 pcs / reel

BW-109 WT-DT

Initial Electrical/Optical Characteristics (Ta= 25°C)

Items	Symbol	Condition	Min.	Typ.	Max.	Unit
Forward Voltage	V_F	$I_F=20mA$	3.0	3.5	3.5	V
Reverse Current	I_R	$V_R=5V$	0.0	1.0	50.0	μA
Color Coordinates	x	$I_F=20mA$	0.287	0.292	0.311	
	y	$I_F=20mA$	0.276	0.308	0.315	
Luminous Intensity	I_V	$I_F=20mA$	1000	1290	1780	mcd
Viewing Angle	deg	$I_F=20mA$		113		deg

*The Forward Voltage tolerance is $\pm 0.03V$.

*The Forward Voltage at 15mA is about 0.1V less than 20mA.

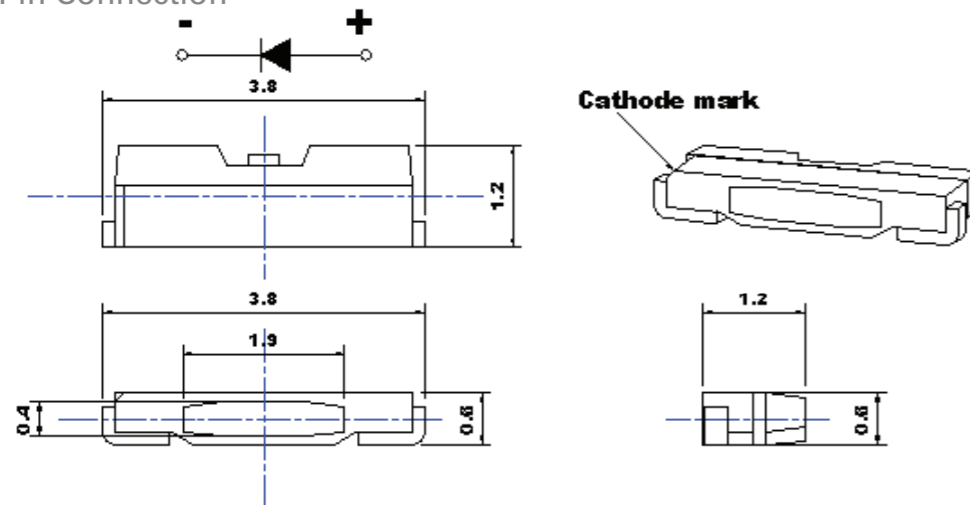
**The CIE value tolerance is ± 0.005 unit.

***The luminous intensity tolerance is $\pm 6\%$.

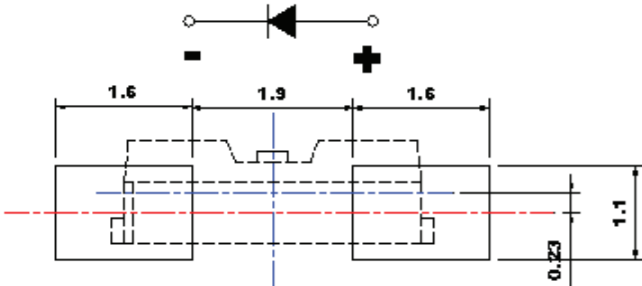
***The luminous intensity at 15mA is about 20% less than 20mA.

Dimension & Recommended Solder Pattern

Pin Connection



Recommended Pad



Unit: mm
Tolerance: ± 0.075

Absolute Maximum Rating (Td=25°C)

Series	$I_F(mA)$	$I_{FP}(mA)$	$V_R(V)$	$T_{OP}(^{\circ}C)$	$T_{ST}(^{\circ}C)$
BW-109 WT-DT	30	100	5	-30~+85	-40~+100

7 inch Anti-Static Reel
3000 pcs / reel