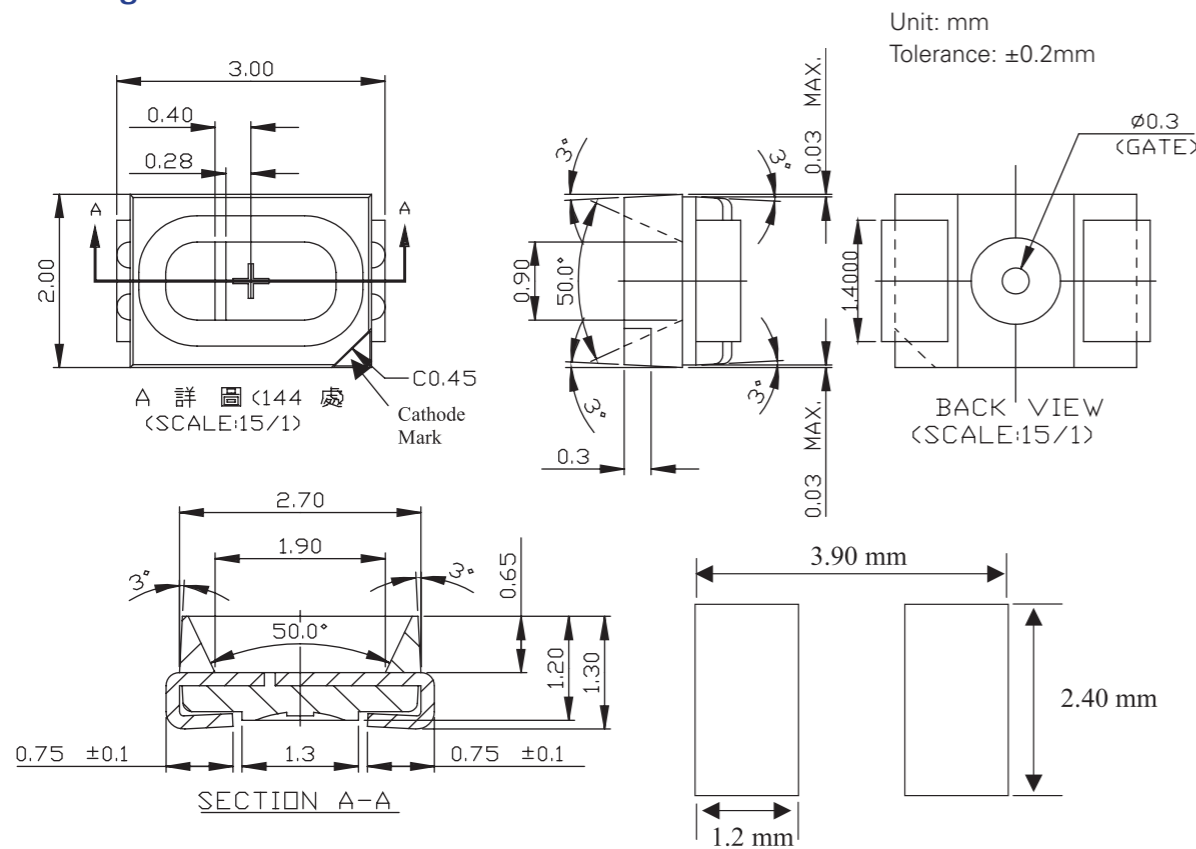


BW-132 WT-DT

Optical Properties (@25degC)

Parameters	Symbol	Condition	Min.	Typ.	Max.	Unit
Peak Wavelength	λ_P	$I_F=20mA$	-	460	-	nm
Cx	-		-	0.31	-	-
Cy	-		-	0.30	-	-
Viewing Angle	2ϕ		-	105	-	deg
Luminous Intensity -T1	I_V		520	-	700	mcd
Luminous Intensity -T2			700	113	880	mcd
Luminous Intensity -U1			880	1120	1190	mcd

Package Dimension



Absolute Maximum Rating (Td=25°C)

Series	I_F (mA)	I_{FP} (mA)	V_R (V)	T_A (°C)	T_{ST} (°C)
BW-132 WT-DT	30	1	5	-20~+85	-20~+85

7 inch Anti-Static Reel
3000 pcs / reel

BW-380 WT-DT

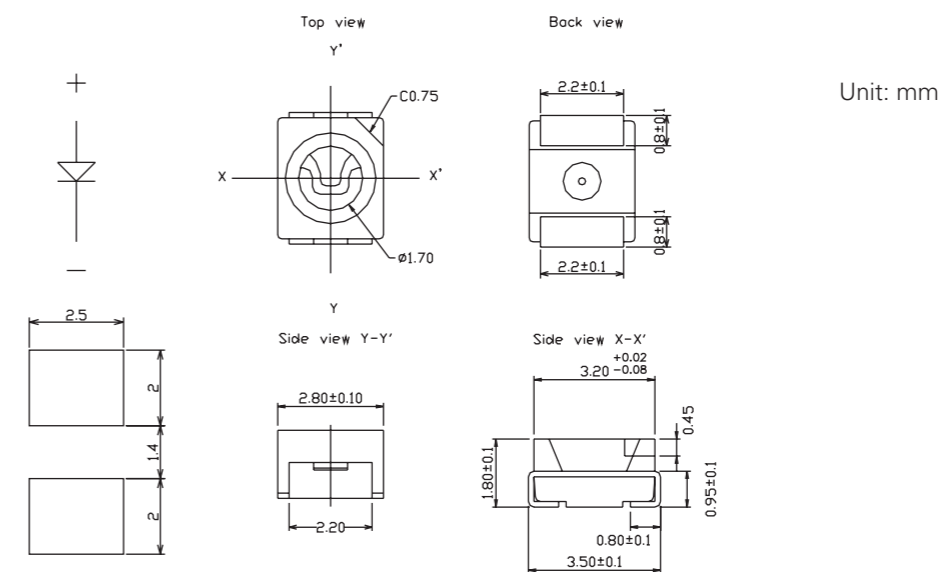
Initial Electrical/Optical Characteristics (Ta= 25°C)

Items	Symbol	Condition	Min.	Typ.	Max.	Unit
Forward Voltage	V_F	$I_F=20mA$	3.0	3.32	3.6	V
Reverse Current	I_R	$V_R=5V$	0.0	1.0	50.0	μA
Color Coordinates	x	$I_F=20mA$	0.21	0.27	0.35	
	y	$I_F=20mA$	0.22	0.28	0.38	
Luminous Intensity	I_V	$I_F=20mA$	600	750	900	mcd
Viewing Angle	deg	$I_F=20mA$		110		deg

*The CIE value tolerance is ± 0.005 unit.

** The luminous intensity tolerance is ± 30 mcd.

Dimension and Recommend Solder Pattern



Absolute Maximum Rating (Td= 25°C)

Series	I_F (mA)	I_{FP} (mA)	V_R (V)	T_{OP} (°C)	T_{ST} (°C)
BW-380 WT-DT	30	100	5	-40~+85	-40~+85

7 inch Anti-Static Reel
2000 pcs / reel