

## BW-383WT-DT

### Initial Electrical/Optical Characteristics (Ta= 25°C)

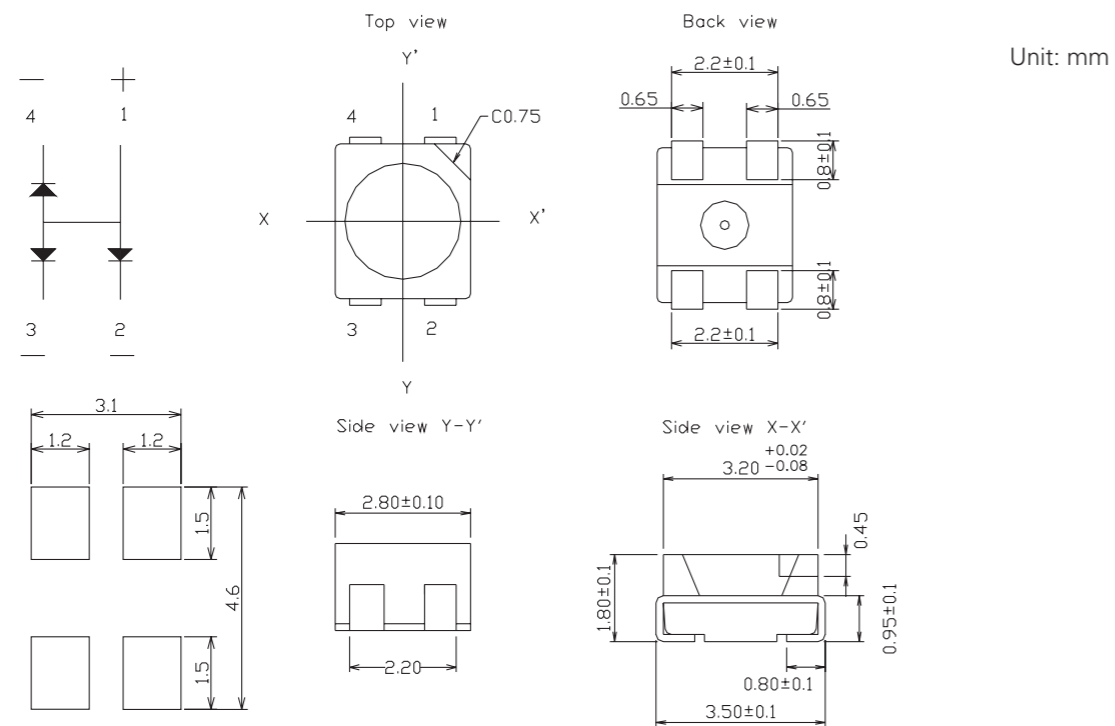
Items	Symbol	Condition	Min.	Typ.	Max.	Unit
Forward Voltage	$V_F$	$I_F=20mA$	3.0	3.4	3.8	V
Reverse Current	$I_R$	$V_R=5V$	0.0	1.0	50.0	$\mu A$
Color Coordinates	x	$I_F=20mA$	0.23	0.28	0.31	
	y	$I_F=20mA$	0.25	0.29	0.33	
Luminous Intensity	$I_V$	$I_F=20mA$	3.0	3.2	4.5	cd
Viewing Angle	deg	$I_F=20mA$		110		deg

\*The value is for one LED circuit.

\*\*The CIE value tolerance is  $\pm 0.005$  unit.

\*\*\*Luminous intensity, CIE and view angle data are the values when 3 circuits are lit simultaneously.  
The luminous intensity tolerance is  $\pm 100$  mcd.

### Dimension and Recommend Solder Pattern



### Absolute Maximum Rating (Td= 25°C)

Series	$I_F$ (mA)	$I_{FP}$ (mA)	$V_R$ (V)	$T_{OP}$ (°C)	$T_{ST}$ (°C)
BW-383 WT	30	100	5	-40~+80	-40~+85

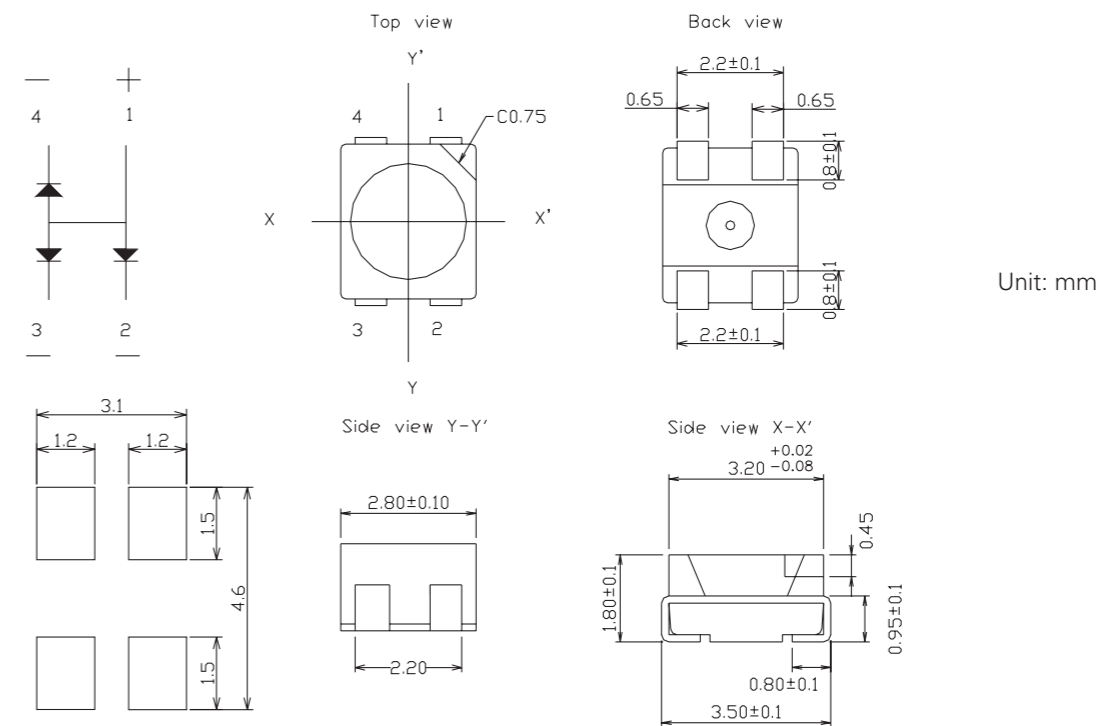
7 inch Anti-Static Reel  
2000 pcs / reel

## BW-383 RCGB-CT

### Electro-Optical Characteristics (@20mA)

Code for Parts BW-XXXXX	Lighting Color	Material	$V_F$ (V)		$\lambda$ (nm)			$I_V$ (mcd)	Internal Circuit
			Typ.	Max.	$\lambda_D$	$\lambda_P$	$\Delta\lambda$	Typ.	
BW-383RCGB-CT	Red	AlGaInP	1.90	2.20	624	630	18	70	
	Green	InGaN	3.20	3.60	527	525	37	182	
	Blue	GaN	3.30	3.60	472	470	25	55	

### Dimension and Recommend Solder Pattern



### Absolute Maximum Rating (Td= 25°C)

Series	$I_F$ (mA)	$I_{FP}$ (mA)	$V_R$ (V)	$T_{OP}$ (°C)	$T_{ST}$ (°C)
BW-383 Series	30	80	5	-40~+80	-40~+85

\*Condition for  $I_{FP}$  is pulse of 1/10 duty and 0.1 msec width

7 inch Anti-Static Reel  
2000 pcs / reel